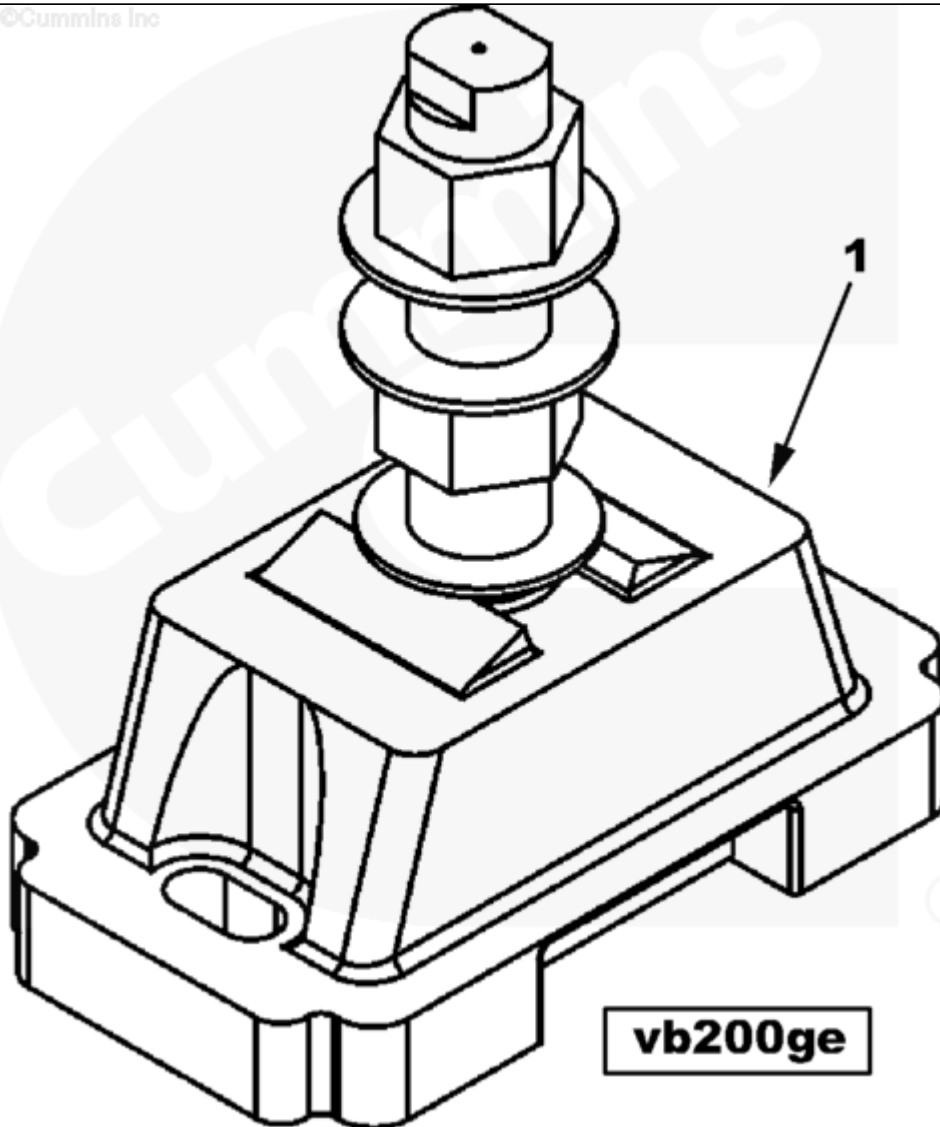




Parts Catalog - Option Detail

Electronic Parts Catalog - Option Detail				
Option	Group	Graphic	Film Card	Date
VB2007	16.03	vb200ge	II	08-OCT-02
Engines	ISM CM570, ISM CM570/870, ISM CM875, ISM CM876, ISM CM876 E, ISM11 CM876 M103, ISM11 CM876 SN, M11 CELECT, M11 CELECT PLUS, M11 MECHANICAL, QSM11 CM570, QSM11 CM876			

©Cummins Inc



[SMALL](#) | [MEDIUM](#) | [LARGE](#)

Cart	Ref No	Part Number	Part Description	Required	Remarks
View My Cart					
		VB2007	Vibration Isolator		
					Vibration Isolator

					Vibration Isolators Provided:
					Front and Rear Mounts
					Isolator Quantity: 4
					Isolator Capacity: Up to
					1000 lbs Per Isolator
					Isolator Material: Rubber
					Isolator Type: Rectangular
					w/Adj Stud Tuned Specifically
					for QSM 11 Engine Isolator
					Supply Method: In Kit
					Isolator Manufacturer: Barry
					Controls
					Rubber Durometer: 60
<input type="checkbox"/>	1	3964883	Vibration Isolator	4	